

## Single-mode 1x4 Dual-window Fiber Coupler

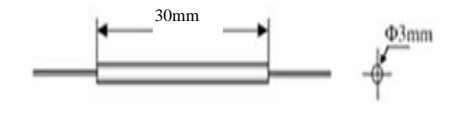
<b>Features</b> <ul style="list-style-type: none"> <li>● Low Excess Loss</li> <li>● Wide band</li> <li>● Compact Size</li> </ul>	<b>Applications</b> <ul style="list-style-type: none"> <li>● Long-haul Telecommunications</li> <li>● CATV Systems &amp; Fiberoptic Sensors</li> <li>● Local Area Network</li> </ul>
--	---

### Performance Specifications:

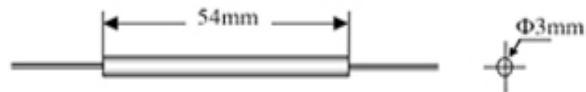
Parameter	Unit	Spec
Port Configuration	/	1x4
Operating Temperature	°C	-20 to +75°C
Storage Temperature	°C	-40 to +85°C
Fiber Type	/	Corning singlemode SMF-28 Ultra
Fiber Pigtail Length	m	1m or custom length
Operating Wavelength	nm	1310/1550nm or request
Bandwidth	nm	±40nm(Wide Band)
Excess Loss (Typ.)	dB	≤ 0.30dB (P), ≤ 0.40dB (A)
Insertion Loss	dB	≤ 7.5dB (P), ≤ 8.0dB (A)
Polarization Sensitivity	dB	≤ 0.20dB (P), ≤ 0.30dB (A)
Directivity	dB	≥ 55dB
Package Dimensions	mm	Package A, B, C, D


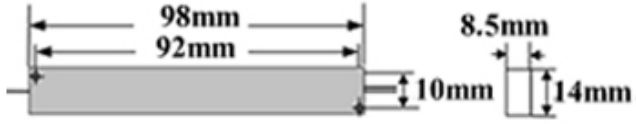
### Package Dimensions:

Package A:  
3mm x 30mm stainless steel tube



Package B:  
3mm x 54mm stainless steel tube



<p>Package C: 3mm x 60mm stainless steel tube</p>	
<p>Package D: 8.5mm x 14mm x 98mm case</p>	
<p><b>Pigtail Style:</b></p>	
<p>Package A, B, C</p>	<p>250um bare fiber</p>
<p>Package D:</p>	<p>250um bare fiber or 900um loose tube</p>