

## 1x2 Triplexer WDM Coupler for FTTH

### Features

- Low Insertion Loss
- High Channel Isolation
- High Stability and Reliability
- Epoxy Free Optical Path

### Applications

- FTTH Application
- WDM Network System

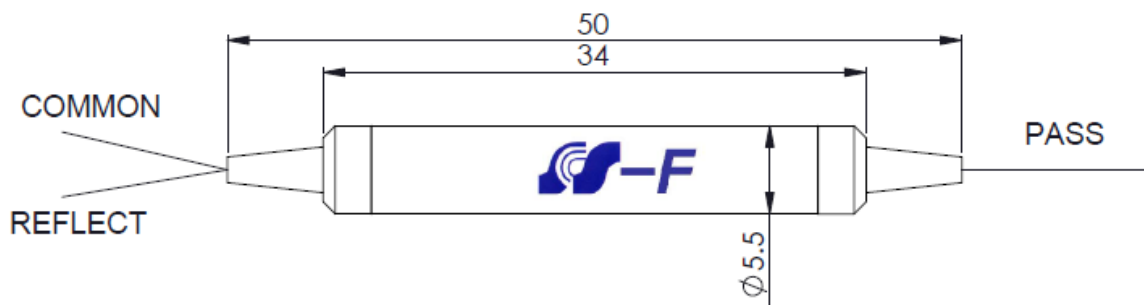
### Performance Specifications:

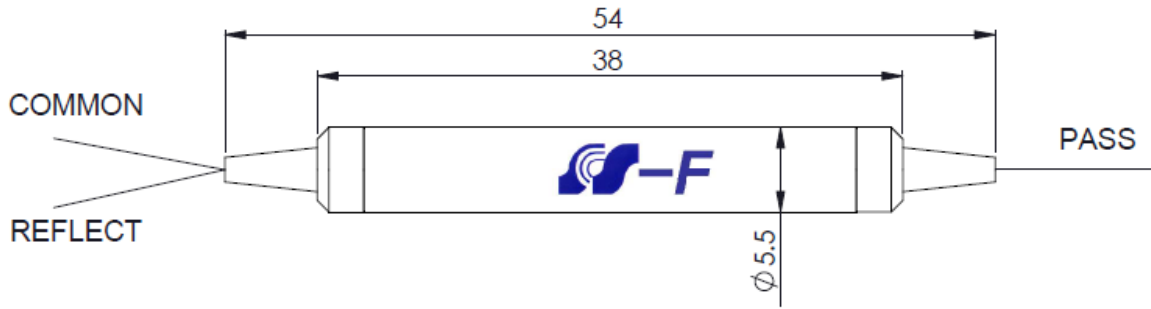
Parameter	Unit	Spec	
		Standard Isolation	High Isolation
Operating Wavelength	nm	1310nm ±50nm, 1490nm ±10nm, 1555nm ±5nm	
Pass(λ <sub>p</sub> )/Reflection Band(λ <sub>R</sub> )	nm	On customer request	
Pass Band Insertion Loss	dB	≤ 0.8dB	≤ 0.8dB
Reflection Band Insertion Loss	dB	≤ 0.5dB	≤ 0.8dB
Isolation @ λ <sub>p</sub>	dB	≥ 40dB	≥ 40dB
Isolation @ λ <sub>R</sub>	dB	≥ 15dB	≥ 40dB
Insertion Loss Temperature Sensitivity	dB/°C	≤ 0.003dB/°C	
Wavelength Temperature Shifting	nm/°C	≤ 0.002nm/°C	
Polarization Dependent Loss	dB	≤ 0.10dB	
Directivity	dB	≥ 50dB	
Return Loss	dB	≥ 55dB	
Optical Power	mW	≤ 300mW	
Operating Temperature	°C	0 to +70°C	
Storage Temperature	°C	-40 to +85°C	
Package Dimensions	mm	Ø5.5xL34mm(L38mm for 900um)	L80mm x W50mm x H6.0mm

Note: All values referenced are without connectors. With connector, IL increase 0.3dB, RL decrease 5dB.

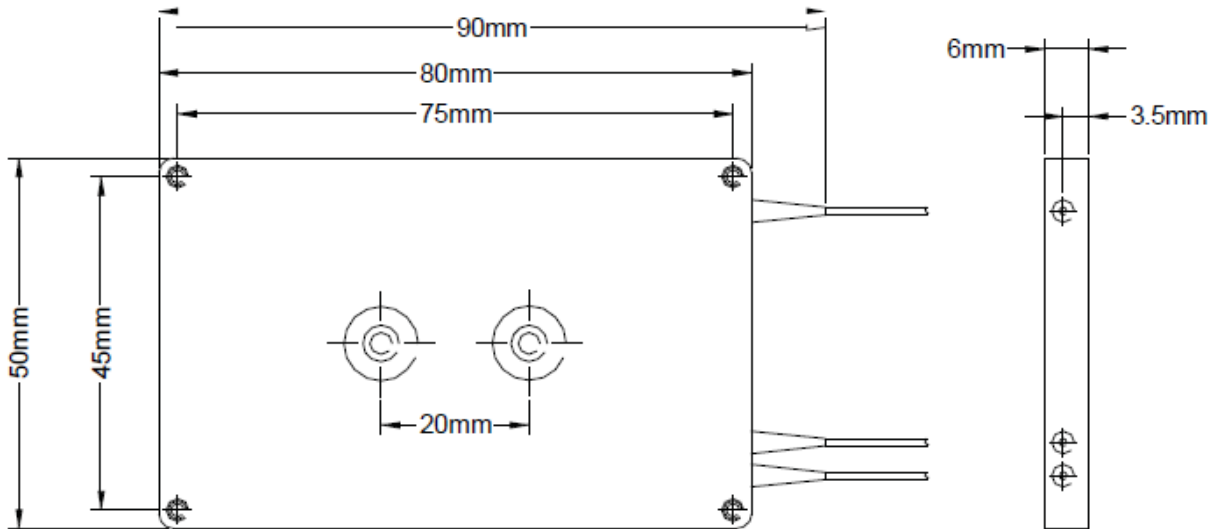
### Mechanical Dimensions:

#### Standard Isolation





### High Isolation



### Ordering Information:

S-MWDM	Wavelength	FTTH	Option	Pigtail Style	Fiber Length	In/Out Connector
	□□		□	□	□	□□
	5T=13/14 Reflect, 15 Pass 5R=13/14 Pass, 15 Reflect 4T=13/15 Reflect, 14 Pass		S=Standard H=High Isolation	1=Bare Fiber 2=900um tube	1=1.0m 2=2.0m	0=None 1=FC/APC 2=FC/PC 3=SC/APC 4=SC/PC 5=ST 6=LC/PC 7=LC/APC

For Example: S-MWDM-5T-FTTH-S-1-1-00