



## 200GHz Optical Add/Drop Multiplexer (1x2)

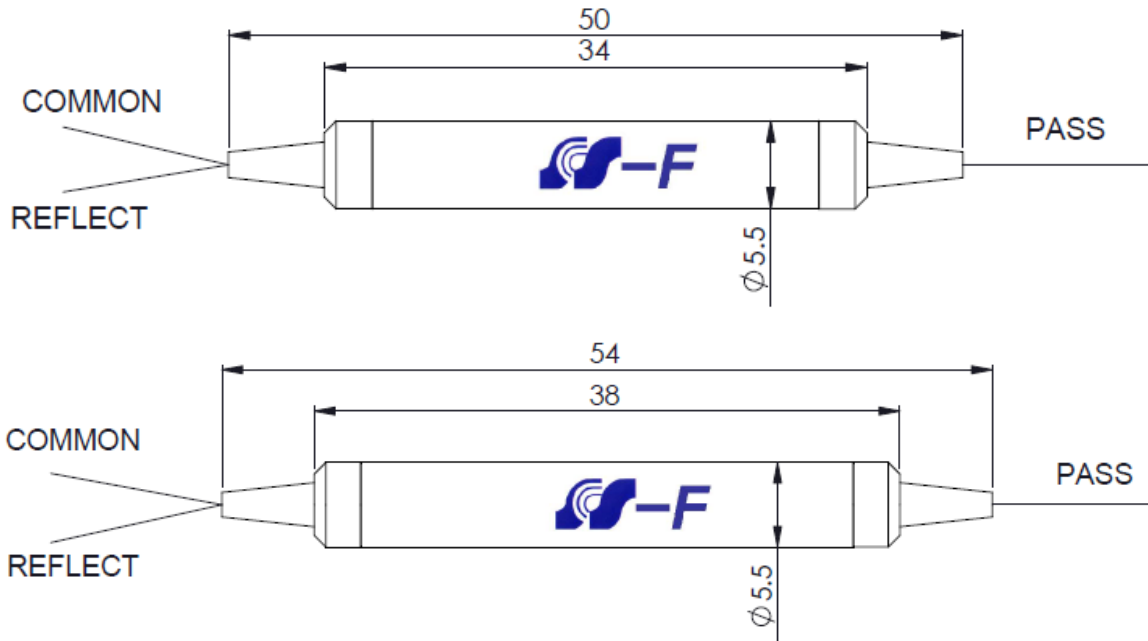
Features	Applications
<ul style="list-style-type: none"> <li>● 200GHz ITU Channel Spacing</li> <li>● Low Insertion Loss</li> <li>● Wide Pass Band</li> <li>● High Channel Isolation</li> <li>● High Stability and Reliability</li> <li>● Epoxy Free Optical Path</li> </ul>	<ul style="list-style-type: none"> <li>● Channel Add / Drop</li> <li>● DWDM Network</li> <li>● Wavelength Routing</li> <li>● Fiber Optical Amplifier</li> <li>● CATV Fiberoptic System</li> </ul>

### Performance Specifications:

Parameter	Unit	Spec	
		Mux (Add)	Demux (Drop)
Operating Wavelength	nm	1530.33 to 1560.61(21~59 ITU grid)	
Center Wavelength Accuracy	nm	± 0.1nm	
Minimum Channel Spacing	GHz	200GHz	
Channel Passband (@-0.5dB bandwidth)	nm	≥ 0.5nm	
Insertion Loss	Add / Drop Ch.	≤ 0.9dB	
	Express Ch.	≤ 0.4dB	
Channel Ripple	dB	≤ 0.3dB	
Channel Isolation	Adjacent	N/A	≥ 30dB
	Non-adjacent	N/A	≥ 40dB
Express Channel Isolation	dB	≥ 12dB	
Insertion Loss Temperature Sensitivity	dB/°C	≤ 0.003dB/°C	
Wavelength Temperature Shifting	nm/°C	≤ 0.002nm/°C	
Polarization Dependent Loss	dB	≤ 0.10dB	
Polarization Mode Dispersion	ps	≤ 0.10ps	
Directivity	dB	≥ 50dB	
Return Loss	dB	≥ 45dB	
Optical Power	mW	≤ 300Mw	
Operating Temperature	°C	0 to +70°C	
Storage Temperature	°C	-40 to +85°C	
Package Dimensions	mm	Ø5.5 x L34mm SS tube(38mm with 900um tube)	

Note: All values referenced are without connectors. With connector, IL increase 0.3dB, RL decrease 5dB.

### Mechanical Dimensions:



### Ordering Information:

S-DWDM	Channel Spacing	Number of Channel	ITU Channel	Pigtail Style	Fiber Length	Connector
	□	□□	□	□	□	□□
	2= 200GHz	01= 1 Channel	C21= 1560.61nm C23= 1558.98nm	1= Bare Fiber 2= 900um tube	1=1m 2=2m	0=None 1=FC/APC 2=FC/PC 3=SC/APC 4=SC/PC 5=ST 6=LC/UPC 7=LC/APC

For Example: S-DWDM-2-01-C21-1-1-00