



## Coarse Wavelength Division Multiplexer (1x2)

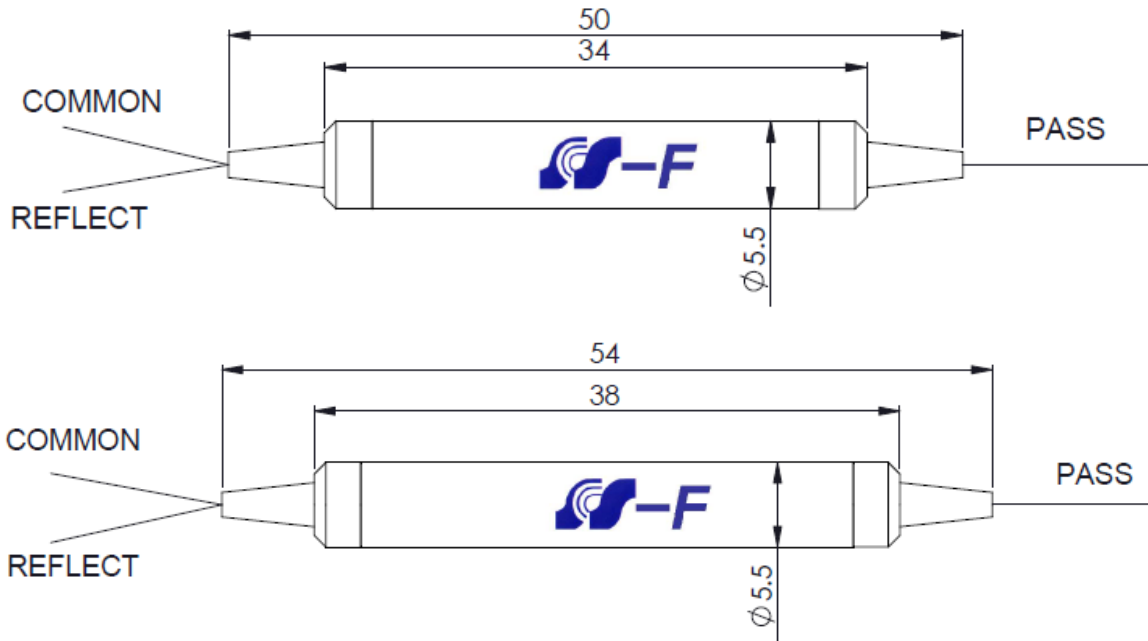
Features	Applications
<ul style="list-style-type: none"> <li>● Low Insertion Loss</li> <li>● Wide Pass Band</li> <li>● High Channel Isolation</li> <li>● High Stability and Reliability</li> <li>● Epoxy Free Optical Path</li> </ul>	<ul style="list-style-type: none"> <li>● Line Monitoring</li> <li>● WDM Network</li> <li>● Telecommunication</li> <li>● Cellular Application</li> <li>● Fiber Optical Amplifier</li> <li>● Access Network</li> </ul>

### Performance Specifications:

Parameter	Unit	Spec	
		Mux (Add)	Demux (Drop)
Operating Wavelength	nm	Full Band (FB): 1270nm to 1610nm; Standard: 1270nm to 1350nm or 1430nm to 1610nm	
Center Wavelength	nm	1270nm, 1290nm, ....., 1610nm or 1271nm, 1291nm, ....., 1611nm	
Center Wavelength Accuracy	nm	± 0.5nm	
Channel Spacing	GHz	20GHz	
Channel Passband (@-0.5dB bandwidth)	nm	≥ 13nm	
Insertion Loss	Pass Channel	≤ 0.6dB	
	Reflection Channel	≤ 0.4dB	
Channel Ripple	dB	≤ 0.4dB	
Channel Isolation	Adjacent	N/A	≥ 30dB
	Non-adjacent	N/A	≥ 40dB
Insertion Loss Temperature Sensitivity	dB/°C	≤ 0.003dB/°C	
Wavelength Temperature Shifting	nm/°C	≤ 0.002nm/°C	
Polarization Dependent Loss	dB	≤ 0.10dB	
Polarization Mode Dispersion	ps	≤ 0.10ps	
Directivity	dB	≥ 50dB	
Return Loss	dB	≥ 45dB	
Optical Power	mW	≤ 300mW	
Operating Temperature	°C	0 to +70°C	
Storage Temperature	°C	-40 to +85°C	
Package Dimensions	mm	Ø5.5 x L34mm SS tube(38mm with 900um tube)	

Note: All values referenced are without connectors. With connector, IL increase 0.3dB, RL decrease 5dB.

### Mechanical Dimensions:



### Ordering Information:

S-CWDM	Channel Spacing	Number of Channel	Configuration	1st ITU Channel	Pigtail Style	Fiber Length	In/Out Connector	FB
	□	□□	□	□□□	□	□	□□	□□
	C=CWDM Grid	01=1 Channel	M=Mux D=Demux	510=1510nm 511=1511nm . . . 571=1571nm	1=Bare Fiber 2=900um tube 3=3mm Cable	1=1m 2=2m	0=None 1=FC/APC 2=FC/PC 3=SC/APC 4=SC/PC 5=ST 6=LC/UPC 7=LC/APC	FB=Full Band Leave Empty=Standard

For Example: S-CWDM-C-01-D-510-1-1-00